



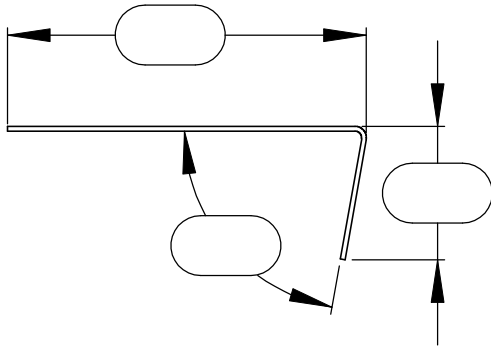
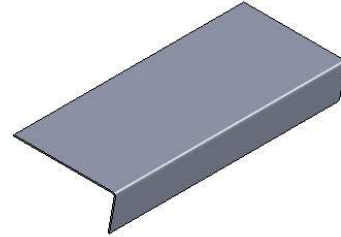
BALL SERVICE GROUP INC.
CUSTOM METAL FABRICATORS

CUSTOMER :

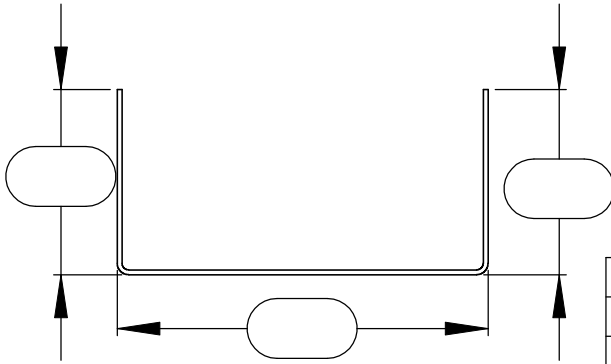
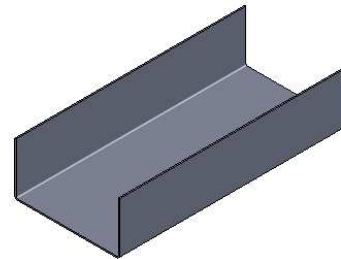
DATE:

ORDER NUMBER:

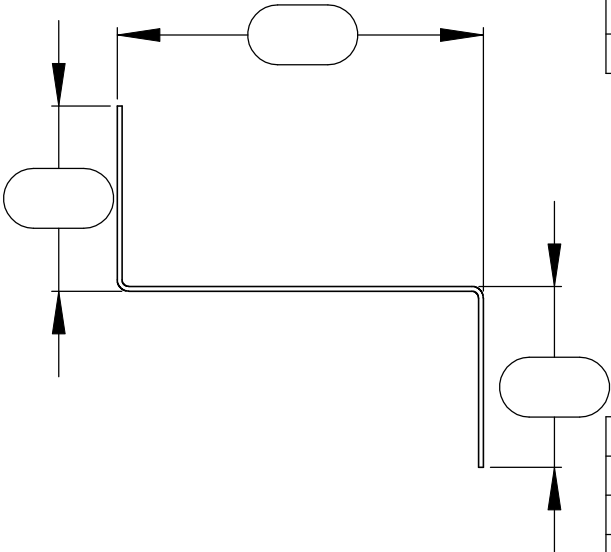
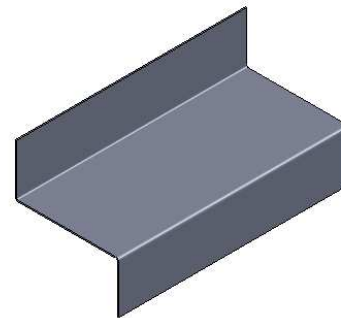
JOB NAME:



Quantity	Thickness	Length	Mark



Quantity	Thickness	Length	Mark



Quantity	Thickness	Length	Mark

OFFICE USE:

PAN TYPE: BSG - BP