



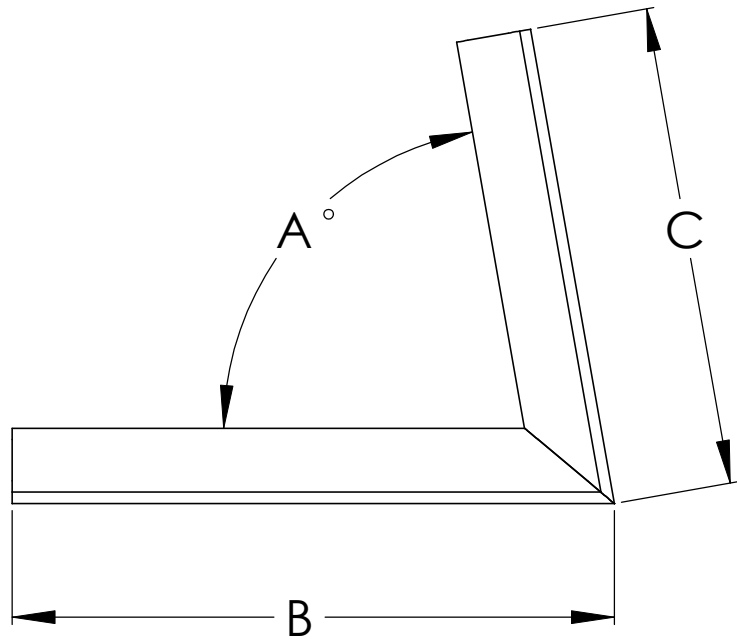
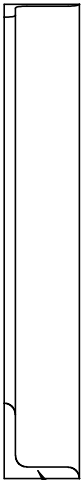
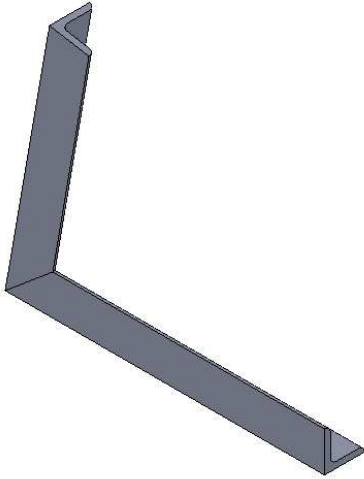
BALL SERVICE GROUP INC.
CUSTOM METAL FABRICATORS

CUSTOMER :

DATE:

ORDER NUMBER:

JOB NAME:



STD. 1 1/4"x 1 1/4"x 3/16" Angle
 Other sizes available upon request

Quantity	Angle Size	A	B	C

OFFICE USE:

PAN TYPE: BSG - CA